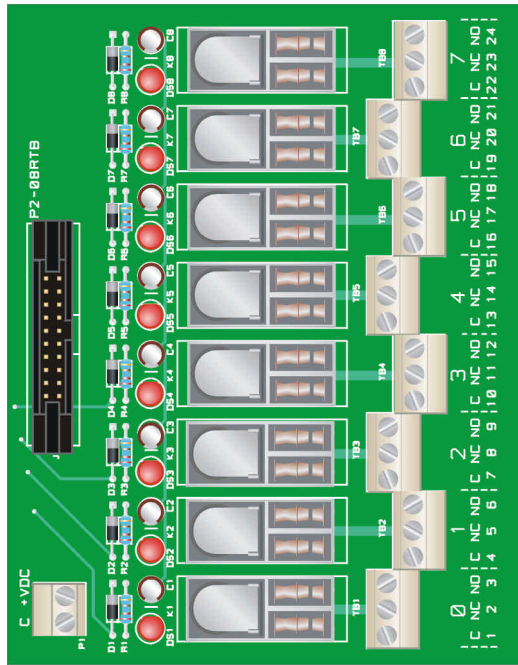


P2 08RTB

8 Channel Relay Output Block



Features:

- Modular connection to Automationdirect.com D2-08TD1 sinking DOT module.
- Multi-sourced international agency approved RK style relays.
- LED indicator per channel.
- Staggered terminations for simplified hook-up.
- Intermediate terminal block replacement.
- Easy installation with DIN rail or 100mm mounting channel.

Description:

The P2 08RTB offers an integrated, modular interface to Automationdirect.com D2-08TD1 with external relay terminations. Each RTB has eight channels of internationally approved RK style relays which have high break voltages, make currents and coil to contact isolation. Each relay's activation is annunciated by an LED for field verification and maintenance. Power saving circuitry extends the lifetime of digital output drivers.

The P2 08RTB connects to the PLC via Automationdirect.com appropriate ZipLink cable. Field wiring is terminated with screw cage-clamp terminal blocks with quick strip and insert installation.



1258-H Quarry Lane - Pleasanton, CA 94566
Tel: (925) 426-4815 - Fax: (925) 484-5469
E-mail: sales@rtu.com
Web: www.rtu.com

All trademarks acknowledged.

DOC# 99DSHP208RTB-001

Specifications

Contacts:

Type: 1 form C
 Rated voltage/
 Break Voltage: 250/440 Vac
 Rated Current/
 Max. Current: 16/25 amps

Coil:

Voltage: 24 Vdc nom
 18 Vdc min
 35 Vdc max
 Nominal Power: .5 W

Operational:

Mechanical Life: $>20 \times 10^6$
 Operate/release/
 bounce time: 9/3/2 mS
 Ambient temperature: -40 to +70 C
 Dielectric strength coil
 to contact: 4000 Vac
 Dielectric strength contact
 to contact: 1000 Vac
 Creepage/clearance: 8mm
 VDE rating: C 250

Connectors:

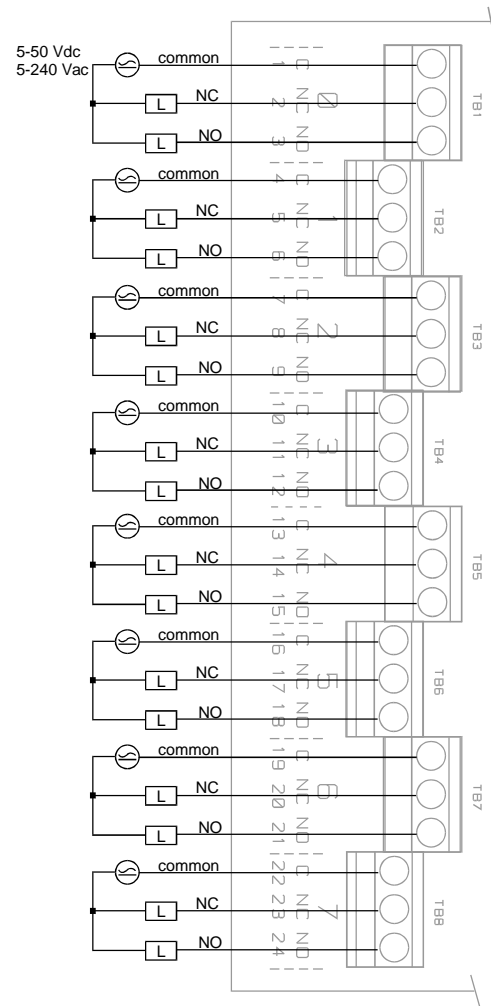
J1: IDC20p
 TB1: 14 AWG screw-clamp.
 P1: 14 AWG screw-clamp.

Dimensions:

5.0"L x 4.2"W x 2.75"H.

Mounting:

Panel mount: 100mm channel
 DIN rail: C, U and G shaped



Ordering Information

P2 08RTB 8 Channel EMR SPST Hvac/LVdc
 digital output, 14AWG fixed TB1, 125
 x 100mm, IDC20 interface.

Assembly Options

-TB 12AWG fixed terminal block.

Polybus International, Inc.

1258-H Quarry Lane
 Pleasanton, CA 94566
 Tel: (925) 426-4815
 Fax: (925) 484-5469
 Web: www.rtu.com

Copyright 1999 Polybus International.
 All trademarks acknowledged.

