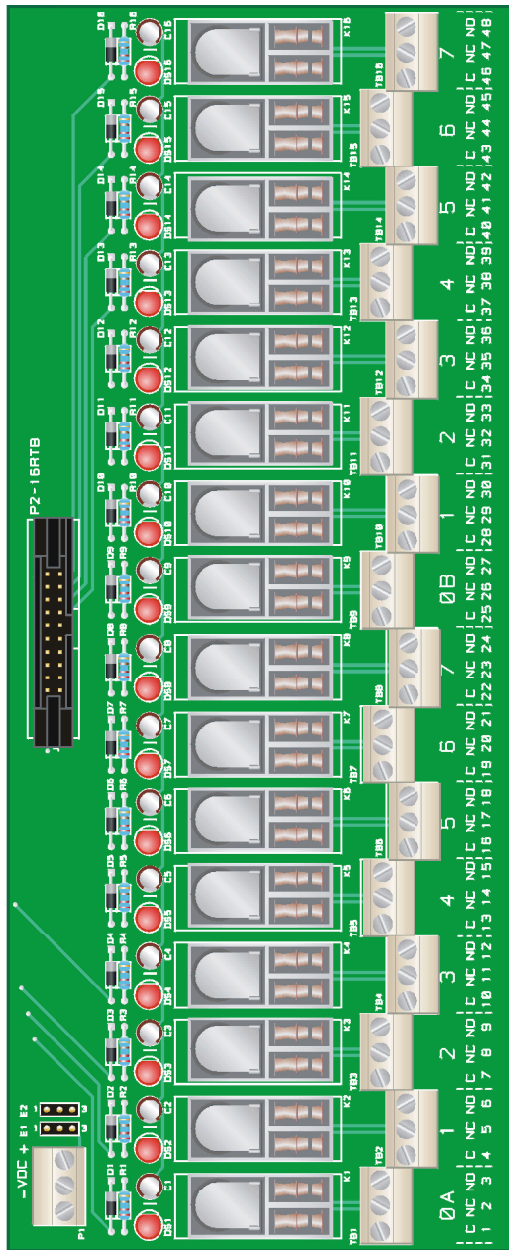


P2 16RTB

16 Channel Relay Output Block



Features:

- Modular connection to Automationdirect.com D2 16TD1-2, D2 16TD2-2 DOT and D2 32TD1 modules.
- Multi-sourced international agency approved RK style relays.
- LED indicator per channel.
- Staggered terminations for simplified hook-up.
- Intermediate terminal block replacement.
- Easy installation with DIN rail or 100mm mounting channel.

Description:

The P2 16RTB offers an integrated, modular interface to Automationdirect.com D2 16TD1-2, D2 16TD2-2 and D2 32TD1 with external relay terminations. Each RTB has sixteen channels of internationally approved RK style relays which have high break voltages, make currents and coil to contact isolation. Each relay's activation is announced by an LED for field verification and maintenance. Power saving circuitry extends the lifetime of digital output drivers.

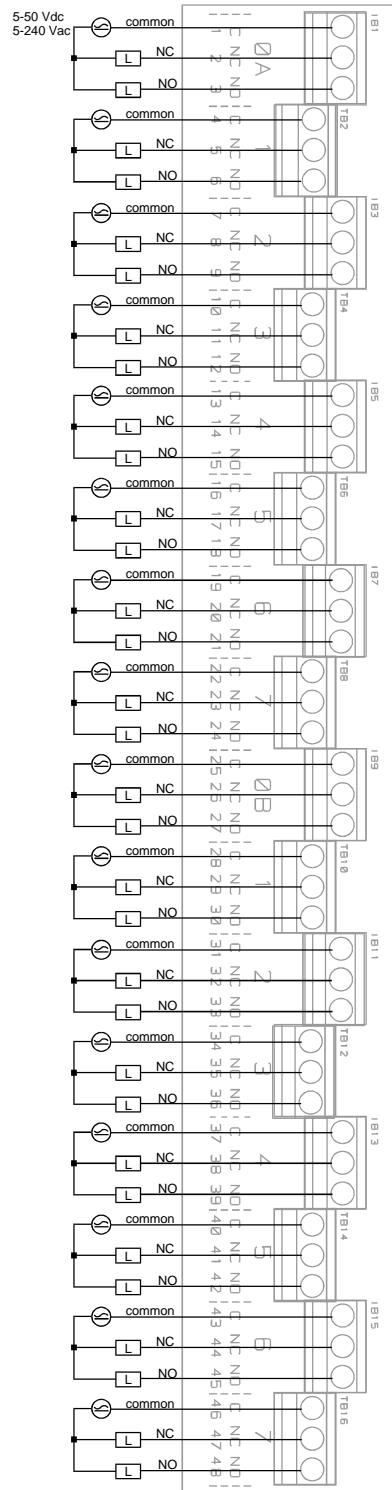
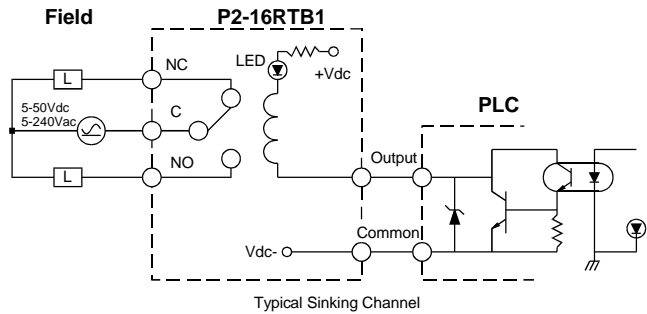
The P2 16RTB connects to the PLC via Automationdirect.com appropriate ZipLink cable. Field wiring is terminated with screw cage-clamp terminal blocks with quick strip and insert installation.

All trademarks acknowledged.



1258-H Quarry Lane - Pleasanton, CA 94566
Tel: (925) 426-4815 - Fax: (925) 484-5469
E-mail: sales@rtu.com
Web: www.rtu.com

DOC# 99DSHP216RTB-001



Specifications

Contacts:	Type:	1 form C
	Rated voltage/ Break Voltage:	250/440 Vac
	Rated Current/ Max. Current:	16/25 amps
Coil:	Voltage	24 Vdc nom 18 Vdc min 35 Vdc max
	Nominal Power:	.5 W
Operational:	Mechanical Life:	>20x10 ⁶
	Operate/release/ bounce time:	9/3/2 mS
	Ambient temperature:	-40 to +70 C
	Dielectric strength coil to contact:	4000 Vac
	Dielectric strength contact to contact:	1000 Vac
	Creepage/clearance:	8mm
	VDE rating	C 250
Connectors:	J1	IDC20p
	TB1	14 AWG screw-clamp.
	P1:	14 AWG screw-clamp.
Dimensions:		9.7"L x 4.2"W x 2.75"H.
Mounting:	Panel mount:	100mm channel
	DIN rail:	C, U and G shaped

Ordering Information

P2 16RTB1	16 Channel sinking EMR SPST DOT, 14AWG fixed TB1. (D2 16TD1-2, D2 32TD1)
P2 16RTB2	16 Channel sourcing EMR SPST DOT, 14AWG fixed TB1. (D2 16TD2-2)

Assembly Options

-TB 12AWG fixed terminal block.

Polybus International, Inc.

1258-H Quarry Lane
Pleasanton, CA 94566
Tel: (925) 426-4815
Fax: (925) 484-5469
Web: www.rtu.com

Copyright 1999 Polybus International. All trademarks acknowledged.

