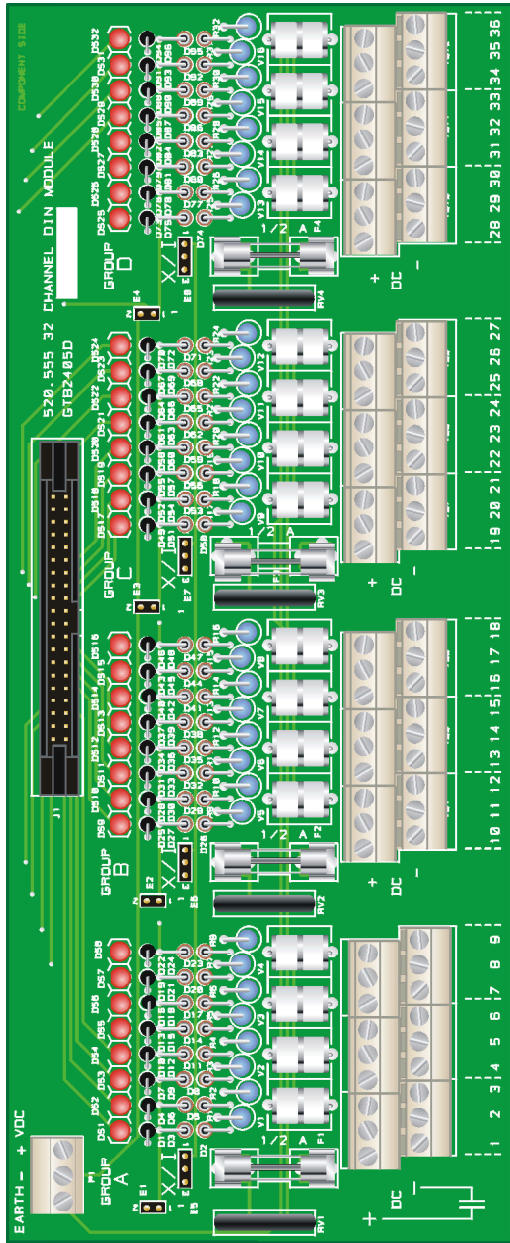


P2 32GTB1

32 Channel Digital Input Block



Features:

- Thirty-two Vac/dc digital input channels.
- Interfaces with Automationdirect.com I/O modules D4-32ND3-1, D4-32ND3-2 and D2-32ND3.
- Excitation voltage and signal termination per channel.
- LED annunciator per channel.
- Transient protection per channel.
- Easy installation with DIN rail or 100mm channel.

Description:

The P2 32GTB1 provides 32 channels of interface for Automationdirect.com D4-32ND3-1, D4-32ND3-2 and D2-32ND3 digital input modules. Channels are organized in four groups of Eight channels each. Each group has power and ground provided independently of other groups and may be operated in an isolated mode. Power is fused protected for each group and can be jumper selected for system power or isolated user provided power. Transient protection is provided to all I/O channels and power groups and optional lightening protection is available.

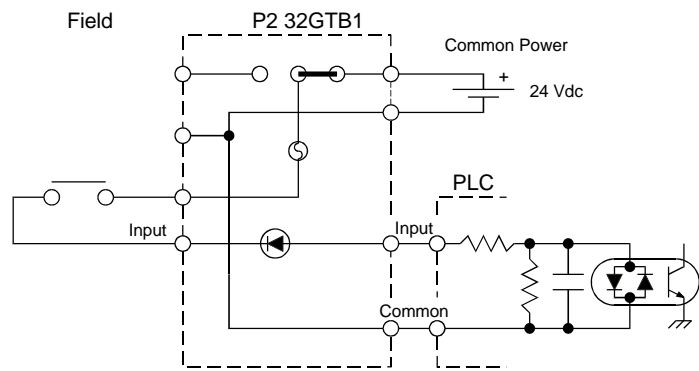
The P2 32GTB1 connects to the PLC via Automationdirect.com's appropriate ZipLink cable. Field wiring is terminated with screw cage-clamp terminal blocks with quick strip and insert installation.

All trademarks acknowledged.

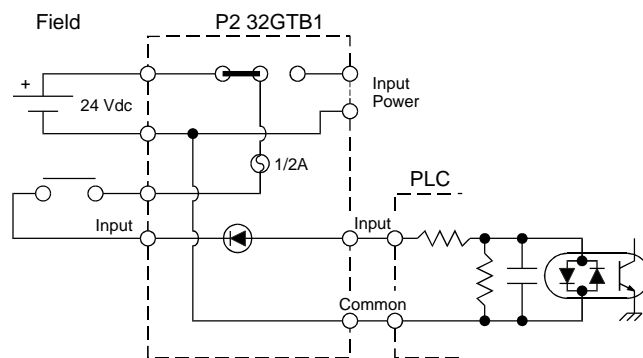
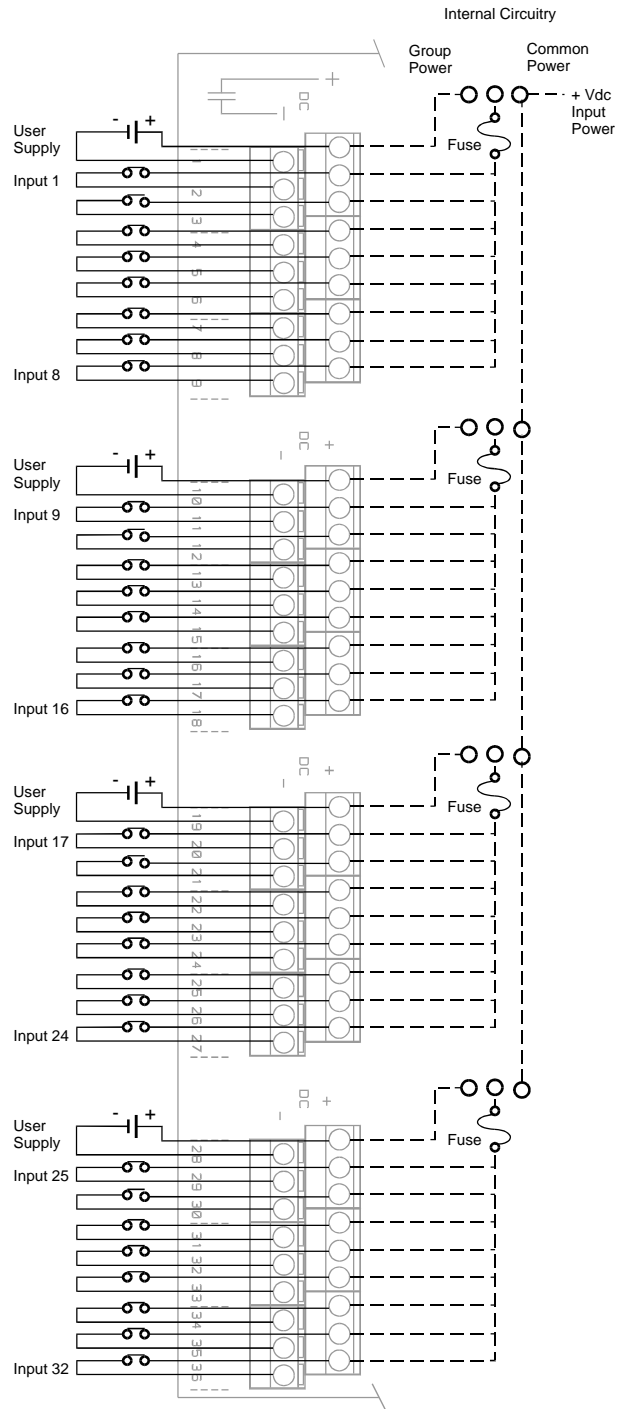
POLYBUS
INTERNATIONAL

1258-H Quarry Lane - Pleasanton, CA 94566
Tel: (925) 426-4815 - Fax: (925) 484-5469
E-mail: sales@rtu.com
Web: www.rtu.com

DOC# 99DSH245-001



Typical Sinking Channel Internally Powered.



Typical Sinking Channel Externally Powered.

Specifications:

I/O:	Voltage:	24 Vdc nom. 18 Vdc min. 75 Vdc max.
	Current:	
Fuses:	Input P1:	1/2 A 5x20mm fast blow.
Power:	Input P1:	24 Vdc nom. 21 Vdc min. 35 Vdc max.
Connectors:	P1:	14 AWG screw-clamp.
	J1:	IDC40p
	TB1:	14 AWG screw-clamp.
Dimensions:		L9.70" x W4.20" x H2.30"
Mounting:	Panel mount:	100mm channel.
	DIN rail:	C, U and G shaped.

Ordering Information:

P2 32GTB1 32 Channel sinking digital input, 14 AWG fixed TB1, 250 x 100mm, IDC40 Interface.

Assembly Options

-G	350V gas tubes.
-DTB	12 AWG fixed dual-row terminal block.
-DPTB	12 AWG pull-apart dual-row terminal block.

Polybus International, Inc.

1258-H Quarry Lane
Pleasanton, CA 94566
Tel: (925) 426-4815
Fax: (925) 484-5469
Web: www.rtu.com

Copyright 1999 Polybus International. All trademarks acknowledged.